

SELECTIVE CONFORMAL COATING AND DISPENSING SOLUTIONS

CAVITY PUMP VALVE CF8100-1/2/3



CF8100-1/2/3

CAVITY PUMP VOLUMETRIC VALVE CF8100-1/2/3

The CF8100-1/2/3 volumetric valve consists of a continuous volumetric pump designed based on progressive cavity (PC) technology. Specially designed for *underfilling*, *glob top* or *dam and fill* applications or *lubrication* processes

The pump can accurately dispense a wide range of fluids from low viscosity coatings to high viscosity greases. The valve uses a special stator and rotor design to provide precise and consistent metering output.

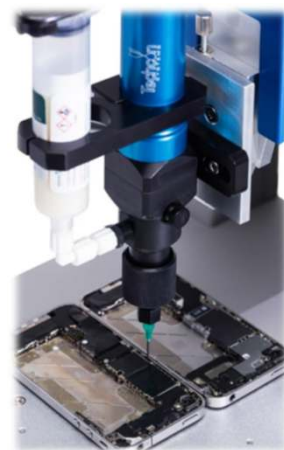
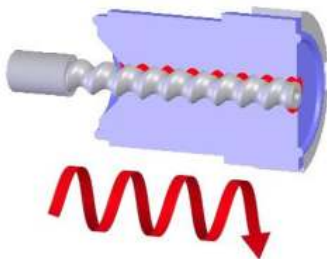
The valve's rotating rotor moves fluid in hermetically sealed cavities through the stator's fluid chambers to create a volumetric fluid flow that does not change the shape or size of the fluid. Due to PC Pump's unique dosing technology, accuracy and repeatability of ± 1 percent can be achieved.

FEATURES

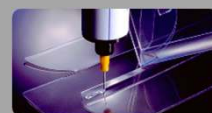
- Precise and constant volumetric dispensing and positive displacement.
- Absence of leaks in any type of material.
- Suck-back function.
- Compatible with abrasive materials.
- Designed to minimize maintenance needs

We have 3 sizes of rotor/stator assemblies to obtain different continuous flow rates.

Size \varnothing x H:	8.1" x 1.34" (205.7mm x 34mm)
Weight:	13.4 oz (380gr)
Fluid inlet:	1/8" NPT Female Adaptador jeringa 30-55 CC
Fluid outlet:	Luer lock Macho
Mounting:	M5
Minimum dosing amount:	0.001 CC
Wetted parts:	Acetal, SS*, PFE*, UHMWPE*
Flow Rate:	CF8100-1 0.15 – 1.04 ml/min CF8100-2 0.47 – 5.70 ml/min CF8100-3 0.80 – 7.05 ml/min
Material viscosity range:	1 – 300,000 cps

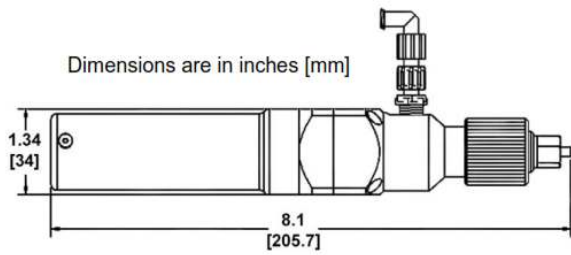
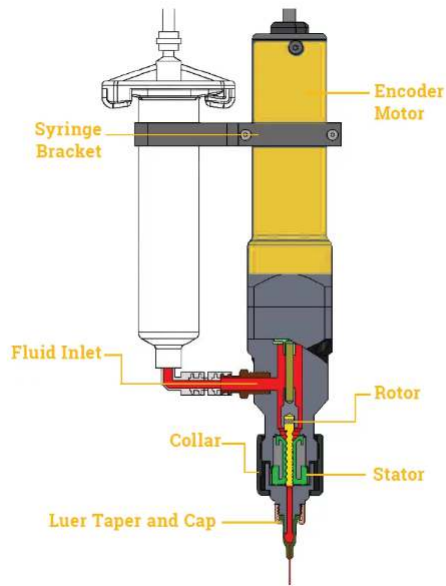


MATERIALS: CONFORMAL COATINGS, ACRYLICS, URETHANES, SILICONES, RTV, BI-COMPONENT MATERIALS, ETC.



NEEDLE VALVES SPECIFICATIONS

CF8100-1/2/3



INTERNATIONAL SALES DEPARTMENT

TEL. +34 925 258 073
FAX +34 925 581 457
coatflow@coatflow.com
www.coatflow.com
www.innomelt.com

LOCAL DISTRIBUTOR:

OTHER COATFLOW SOLUTIONS

